

aquatica®

*Function, Form & Fashion*



*Lorena-S-210 & Lorena-B-310*  
Faucets

Installation & Care Manual  
USA / Canada

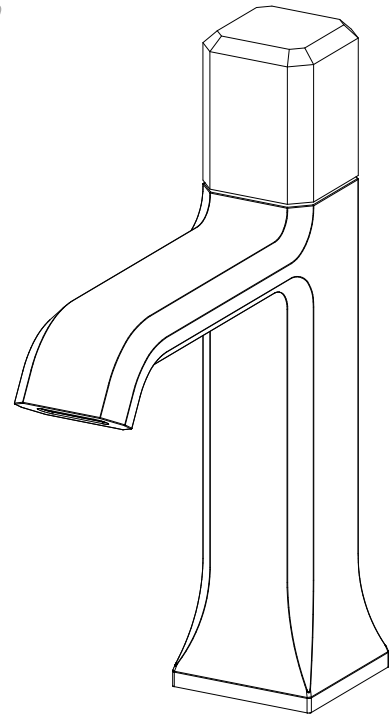
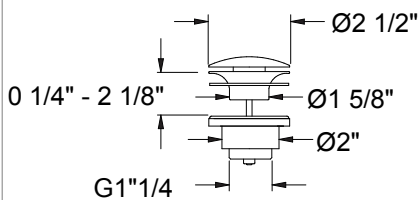
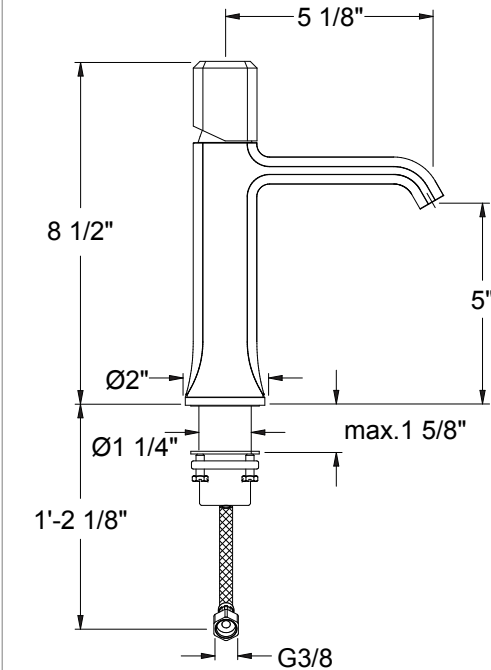
# Lorena-S-210 & Lorena-B-310

## Faucets

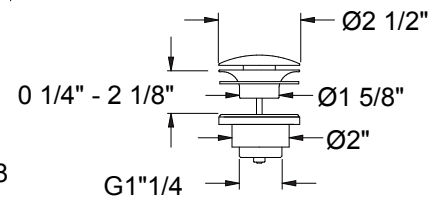
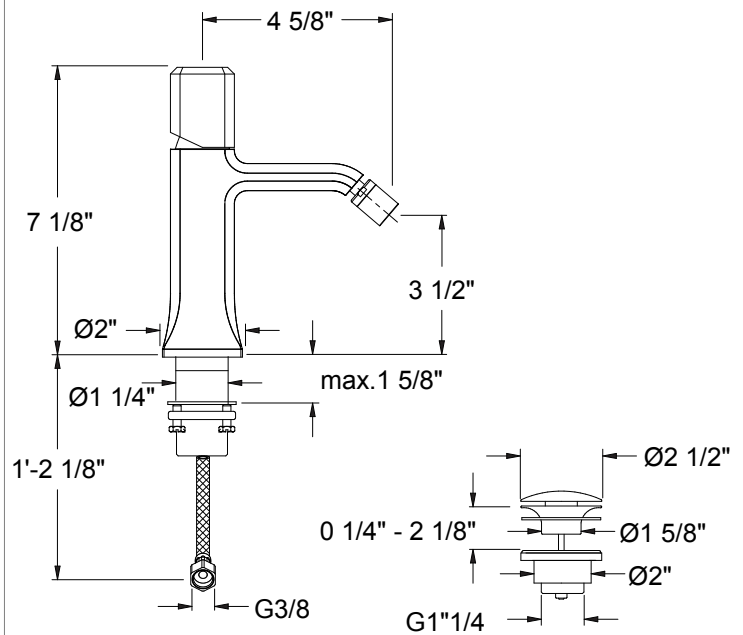
### PARTS LIST

 MEASUREMENTS: inches

Lorena-S-210



Lorena-B-310

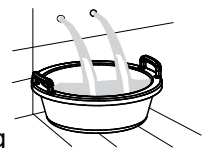


### SPECIFICATIONS

Recommended operational pressure .....	1-5 bar
Maximum test pressure .....	16 bar
Maximum hot water temperature .....	70 °C
Recommended temperature .....	50-60 °C
Pressure difference between hot and cold water .....	max. 1,5 bar

### IMPORTANT NOTE

- Installation to be performed by qualified personnel
- Before connecting to mains, bleed the pipes to avoid damage.



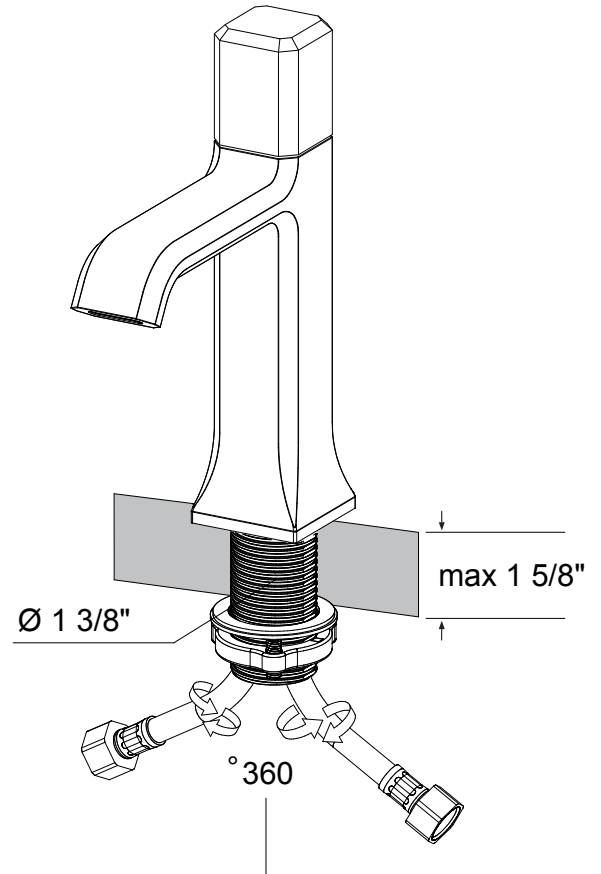
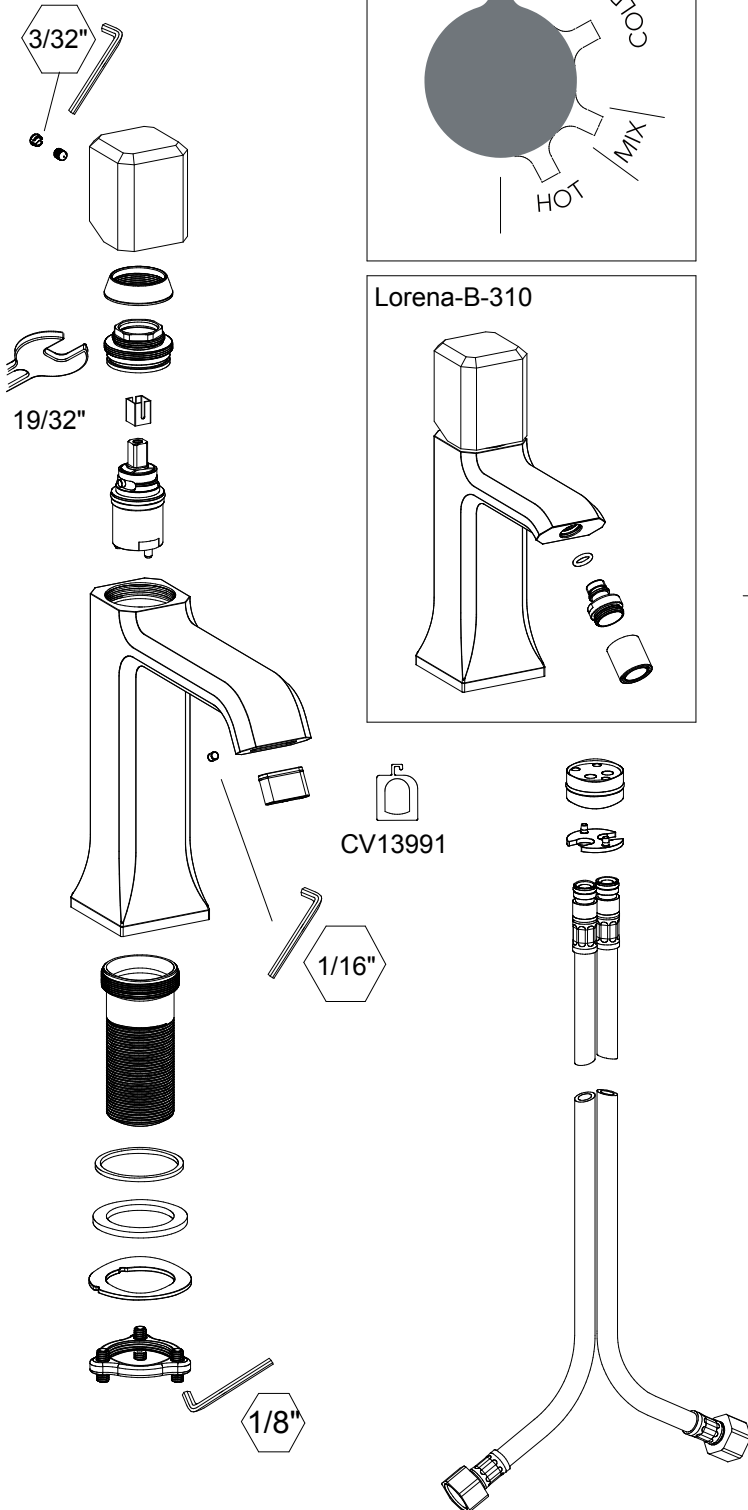
# Lorena-S-210 & Lorena-B-310

Faucets

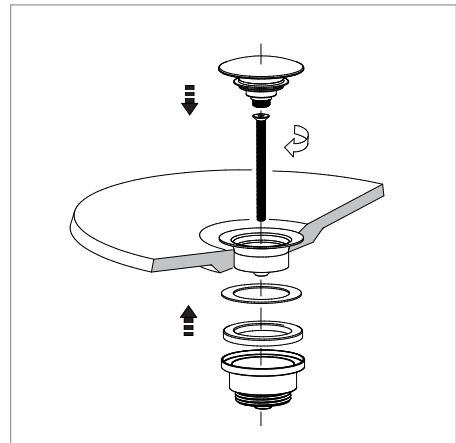
**aquatica**<sup>®</sup>  
*Function, Form & Fashion*

## INSTALLATION

### Lorena-S-210



Flexible Connection With  
Patented Anti-torsion System



**aquatica**<sup>®</sup>  
*Function, Form & Fashion*

# aquatica®

*Function, Form & Fashion*

